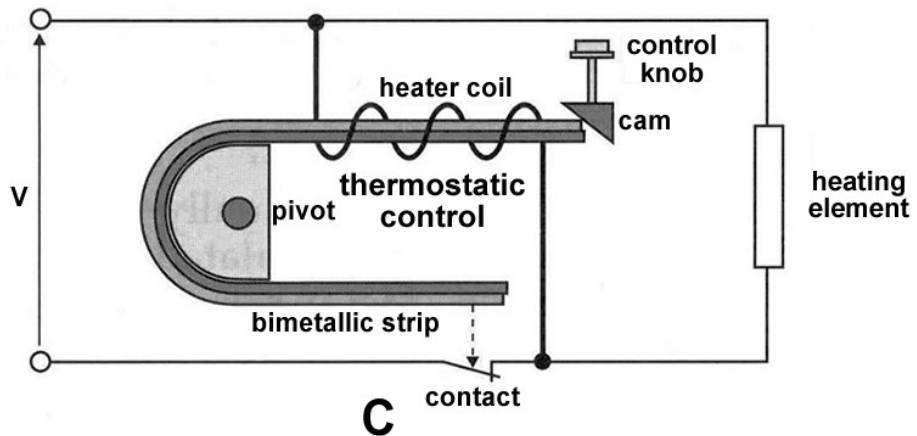
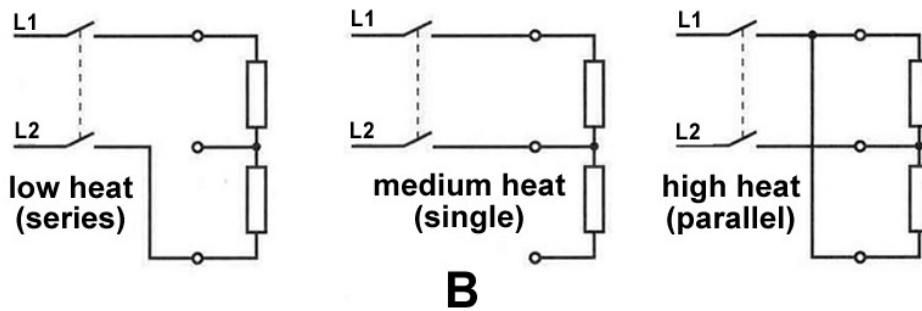
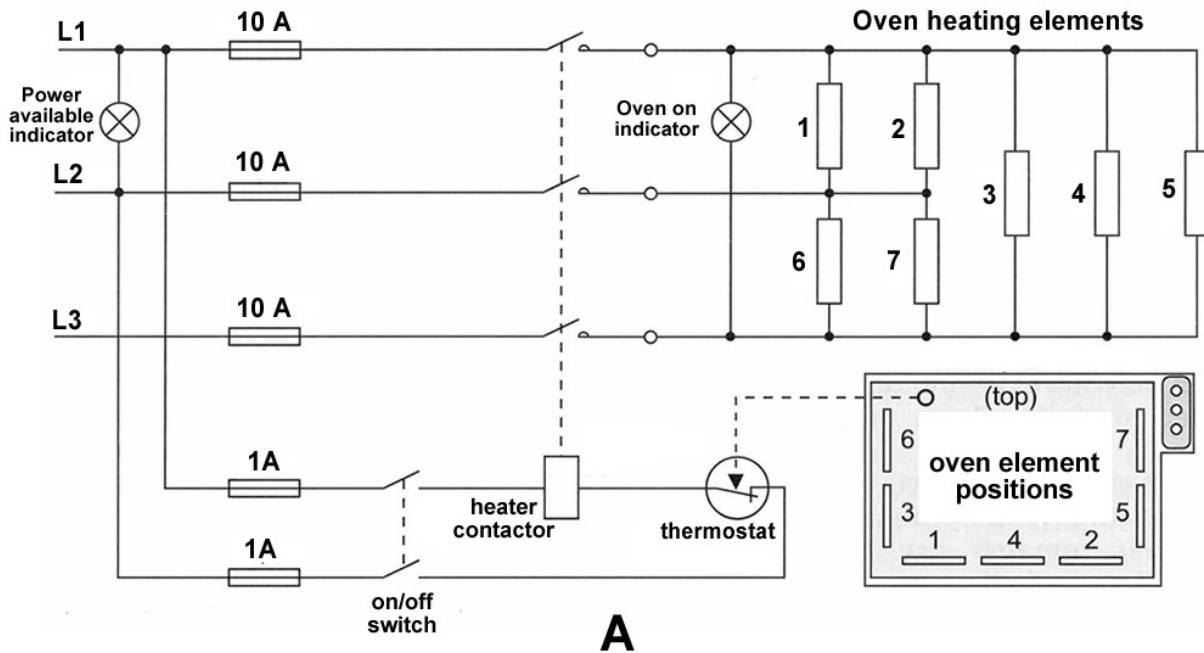


EL-0041



Adapted for testing purposes only from HALL, Practical Marine Electrical Knowledge, 2E.
 © 2003 Dennis T. Hall. Reproduced with permission from Witherby Publishing Group, LTD.